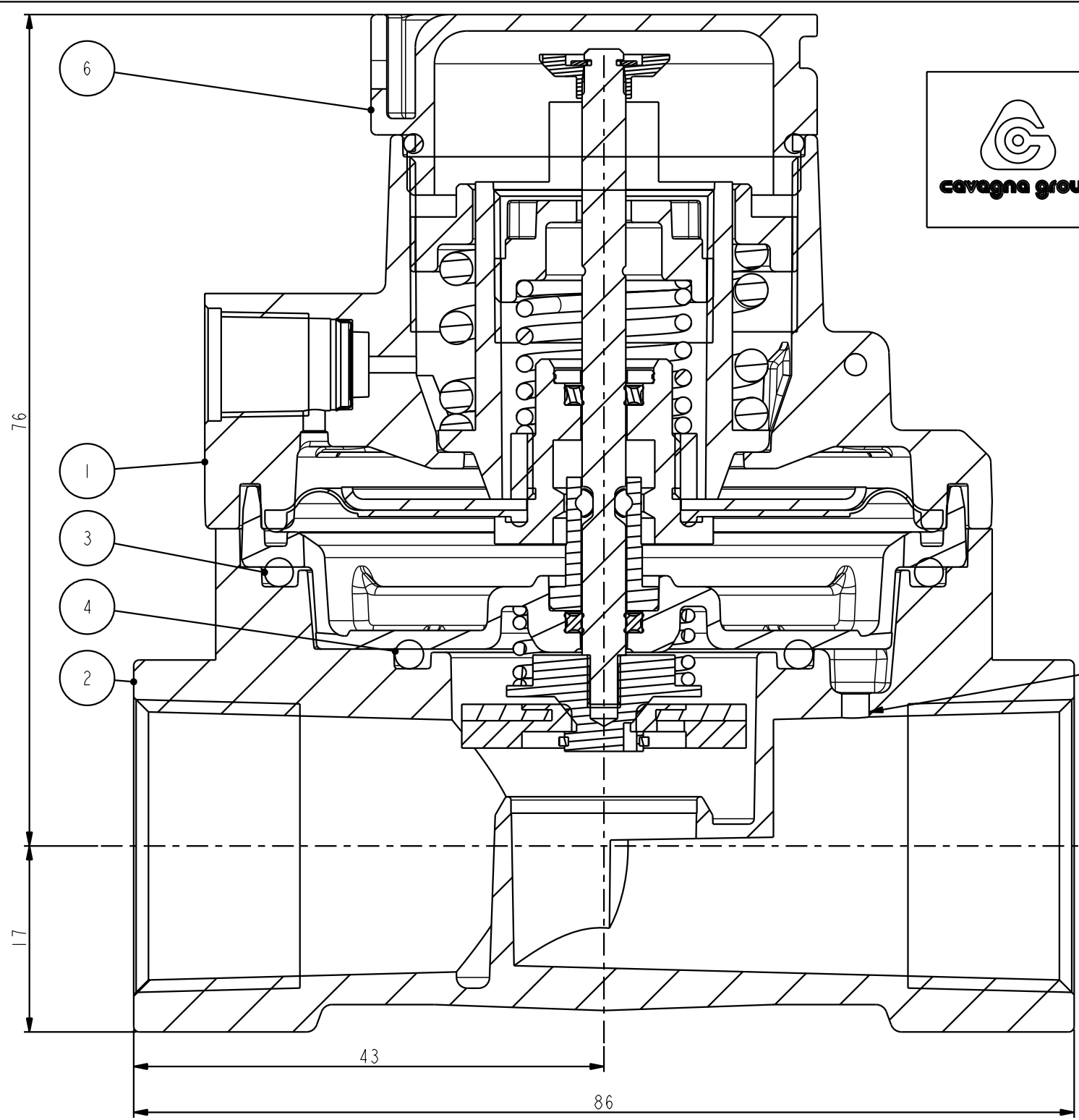



This drawing may not be copied or distributed in any way without the written permission of Cavagna Group Div. RE.CA. Via Matteotti, 5 - Calvisano - BS - Italy



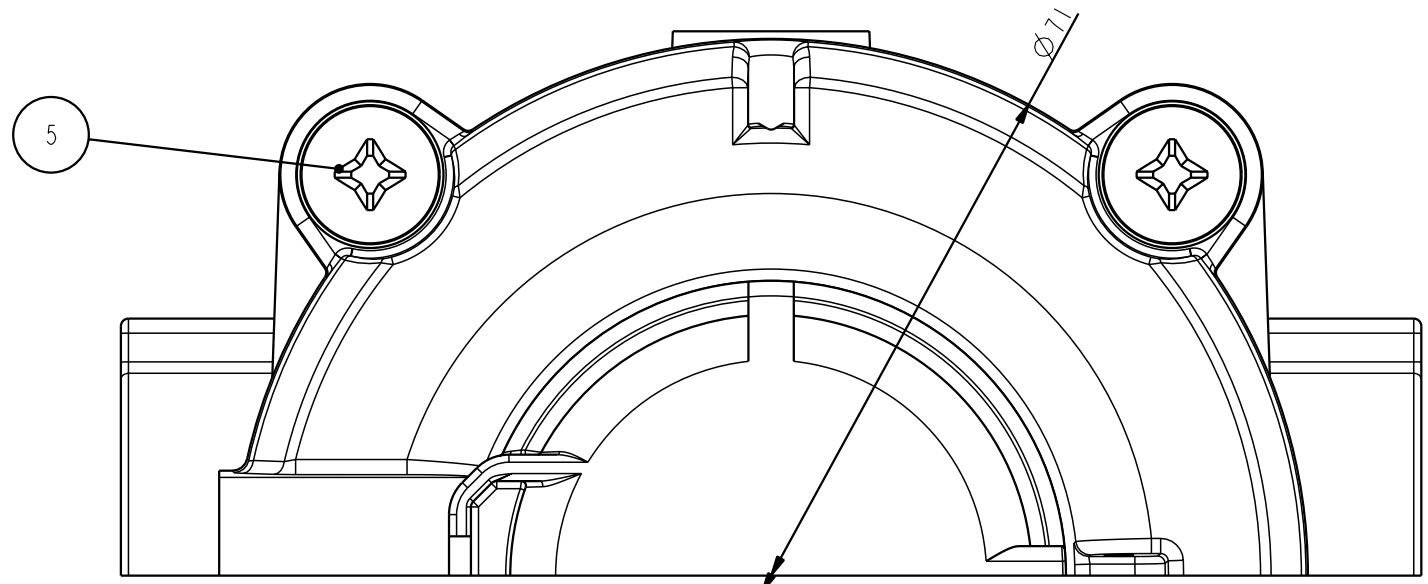
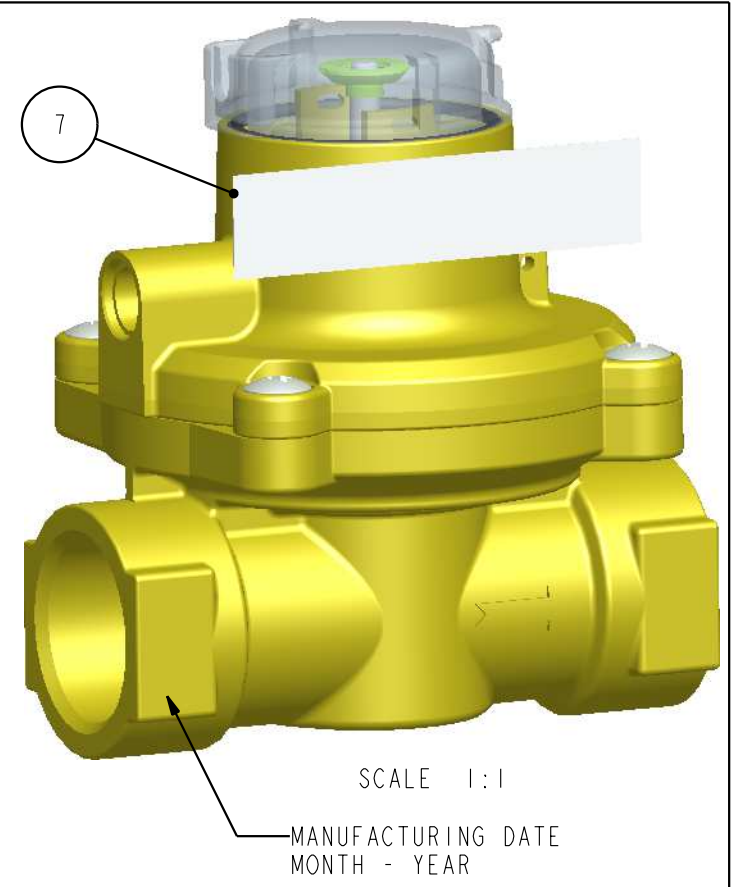
SELF-ADHESIVE NAMEPLATE

 **OPSO/USPO TYPE 403 - PROPANE - EN16129**  
*p max 1 bar - G.18 / H.11*  
**OPSO 1,4 bar - USPO 0,3 bar**  
*Int. impulse - Made in Italy*


LABEL FOR SINGLE BOX

**SAFETY OPSO/USPO TYPE 403**  
**FOR HIGH PRESSURE**  
**APPLICATIONS**  
**PROPANE**  
**OPSO 1,4 bar / USPO 0,3 bar**  
**INLET: 3/4" NPT FEMALE (G.18)**  
**OUTLET: 3/4" NPT FEMALE (H.11)**

34-1-210-4265 R.1



NO	NO PRODUCT	DENIMINATION	Q.TY
1	40-1-950-0209	S/A SHUT-OFF VALVE HP (1.3-0.3 bar)	1
2	00-1-151-0710	ZINC PLATED BODY FOR OPSO ADAPTOR (3/4 NPT X 3/4 NPT)	1
3	04-1-110-0113	O-RING Ø56.82 X 2.62	1
4	04-1-110-0123	O-RING Ø32.99 X 2.62	1
5	14-1-110-0079	SCREWS M5 - L=14mm	4
6	21-1-950-0051	S/A CUP FOR VSI	1
7	34-1-310-0816	SELF-ADHESIVE LABEL FOR OPSO/USPO TYPE 403	1
8	34-1-110-1569	INSTRUCTION FOR OPSO/USPO TYPE 403	1
9	23-1-210-0831	STANDARD SINGLE BOX	1
10	34-1-210-4265	LABEL FOR SINGLE BOX	1
11	23-1-510-0002	STANDARD BOX (R34)	1

	<b>DENOMINATION</b>				<b>PROPANE 1.4 / 0.3 bar N.A.</b>	
	<b>SHUT-OFF VALVE HP TYPE 403 WITH SAFETY</b>					
RECA	MODEL	ORIFICE	INLET	OUTLET	SHARED	PROD. INT. GROUP
	N.A.	17	3/4" NPT FEMALE	3/4" NPT FEMALE	N.A.	-
PERFORMANCE DOC.	COUNTRY	COUNTRY SPECIFIC	WEIGHT	SCALE	MODIFY FILE	PRODUCT NO
N.A.	N.A.	EN16129	N.A.	2:1	N.A.	40-1-390-0003
PROD. EVOLUTION	PROJECT NO	RELEASE LEVEL	DRAWN BY	VERIFIED BY	APPROVED BY	DATE
DEFINITIVE	DS06454	STUDY WIP	RUSSO R.	TOMASELLI L.	SCHLICK B.	12/09/18